



The 4040XPT is LCN's most flexible heavy duty track closer designed specifically for interior doors in institutional and other rugged high traffic applications.

Certifications Grade 1 - ANSI A156.4, UL10C, ADA, 100 Hour Salt Spray, Meets BAA - Buy American Act

Body Construction

- Cast Iron Body
- Full Complement Bearings
- 1-1/2" Diameter Piston
- 3/4" Diameter Double Heat Treated Pinion Journal

Fluid All Weather Liquid X Fluid

Handing Non-Handed

Size Adjustable Spring Size 1-4

Warranty 30 years

Cover

- Plastic, Standard
- Metal, Optional

Fasteners Self Reaming and Tapping Screws (SRT)

Mounting Pull side on door, pull side top jamb, push side on door

Arms Standard Arm and Track with Roller

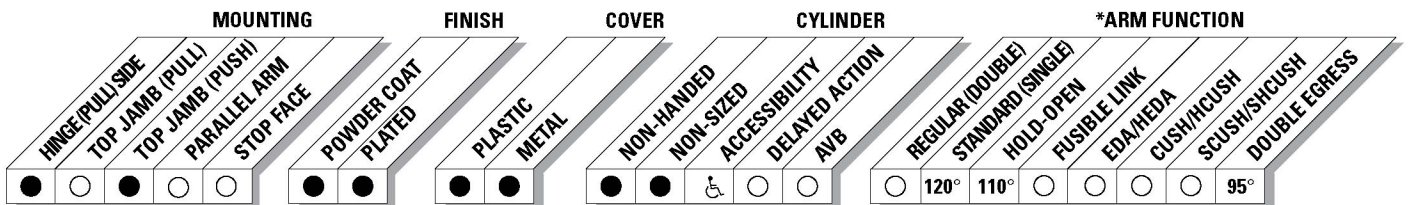
**Finishes/Colors/
Powder Coat**

- Aluminum (689)
- Statuary Bronze (690)
- Light Bronze (691)
- Black (693)
- Dark Bronze (695)
- Brass (696)
- Custom colors optional

- Optional SRI primer - powder coat only
- Optional plated finishes

Special Templates

Customized installation templates or products may be available to solve unusual applications. Contact LCN Product Support for assistance.



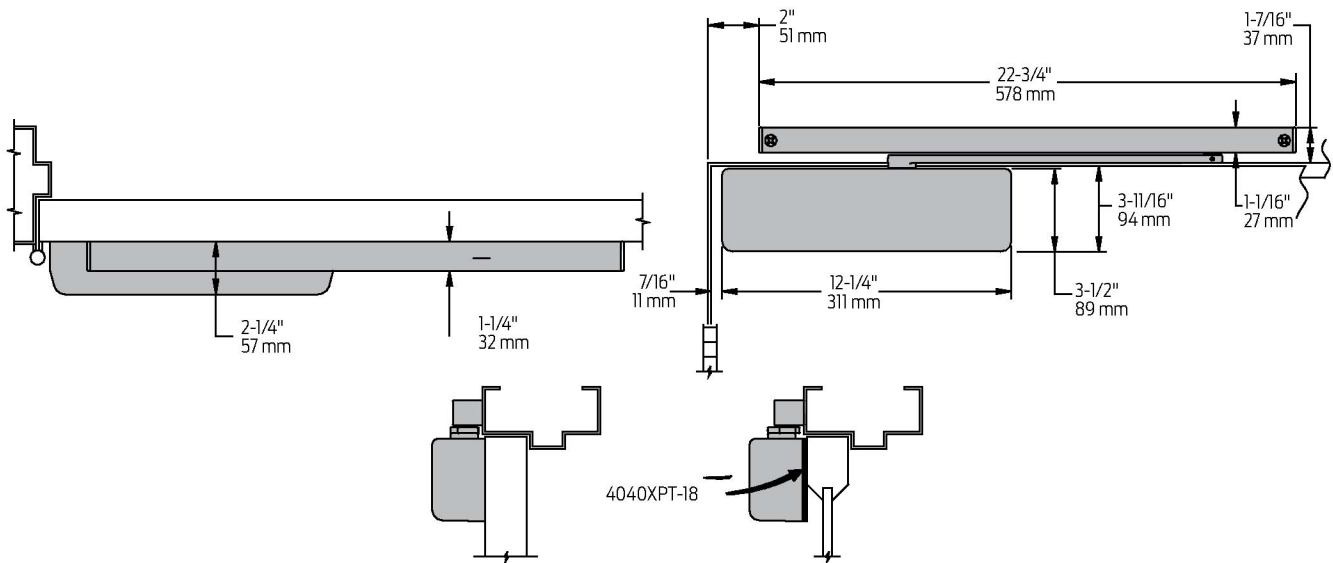
● AVAILABLE
○ NOT AVAILABLE

♿ Closer available with less than 5.0 lbs. opening force on 36" door.
* Maximum opening/hold-open point with standard template.

4040XPT Series

Mounting details

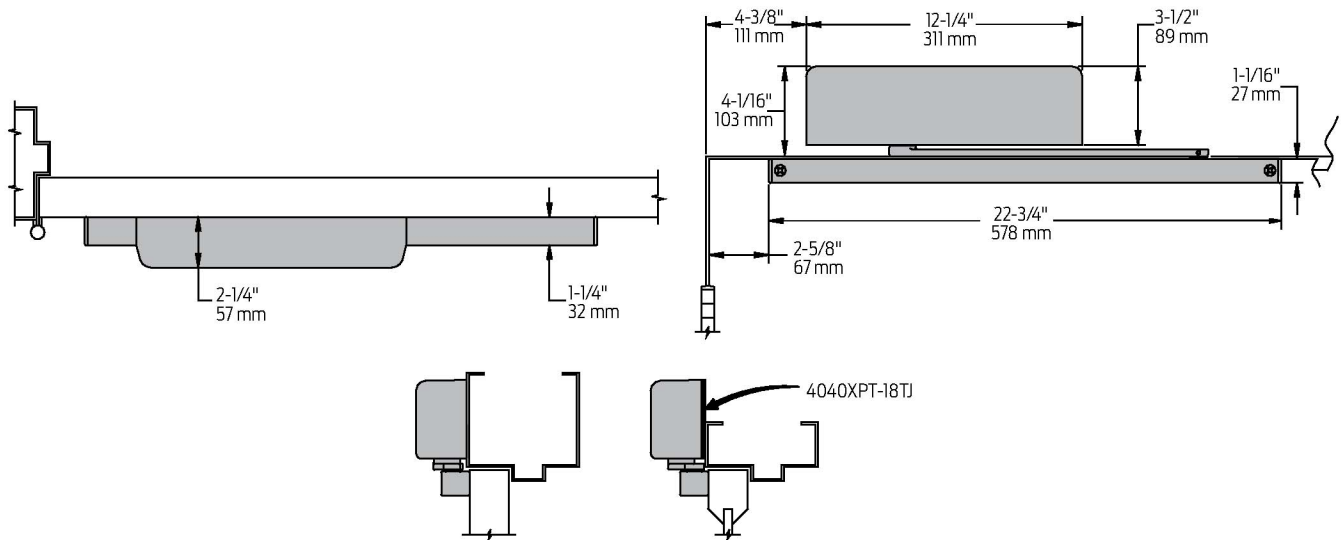
Hinge (Pull Side) Mounting



Butt Hinges	Should not exceed 5" (127 mm) in width
Auxiliary Stop	<ul style="list-style-type: none"> ■ Recommended at hold-open point or where a door cannot swing 120° ■ Optional track bumper assembly assists backcheck in cushioning the opening swing of the door ■ It is not intended to replace an auxiliary stop
Reveal	Should not exceed 1/8" (3 mm) for standard arm
Top Rail	Less than 3-3/4" (95 mm) requires PLATE, 4040XPT-18. Plate requires 1-13/16" (44 mm) minimum
Head Frame	Requires 1-1/4" (32 mm) minimum
Clearance	2-1/4" (57 mm) behind door required for 90° installation
Maximum Opening	<ul style="list-style-type: none"> ■ Templating allows 120° with standard arm, limited to 110° when optional bumper is installed ■ Hold-open points at 85°, 90°, 95°, 100°, 105°, or 110°, depending on the clip location in track

Notes:

- Many track style door closers are capable of allowing 180° of door swing
- The majority of track style closers are at their weakest closing force in the 180° – 130° range
- Consult factory for applications where door must swing 180°



Butt Hinges	Should not exceed 5" (127 mm) in width
Auxiliary Stop	<ul style="list-style-type: none"> ■ Recommended at hold-open point or where a door cannot swing 180° ■ Optional track bumper assembly assists backcheck in cushioning the opening swing of the door ■ It is not intended to replace an auxiliary stop
Reveal	Should not exceed 1/8" (3 mm)
Head Frame	Less than 3-7/8" (98 mm), requires PLATE, 4040XPT-18TJ. Plate requires 1-3/4" (44 mm) minimum
Clearance	1-1/4" (32 mm) behind door required for 180° installation
Maximum Opening	<ul style="list-style-type: none"> ■ Templating allows 180° with standard track arm, limited to 110° with optional bumper installed ■ Consult factory if door will be held open at 180° ■ Hold-open points at 85°, 90°, 95°, 100°, 105° or 110° with hold-open tracks

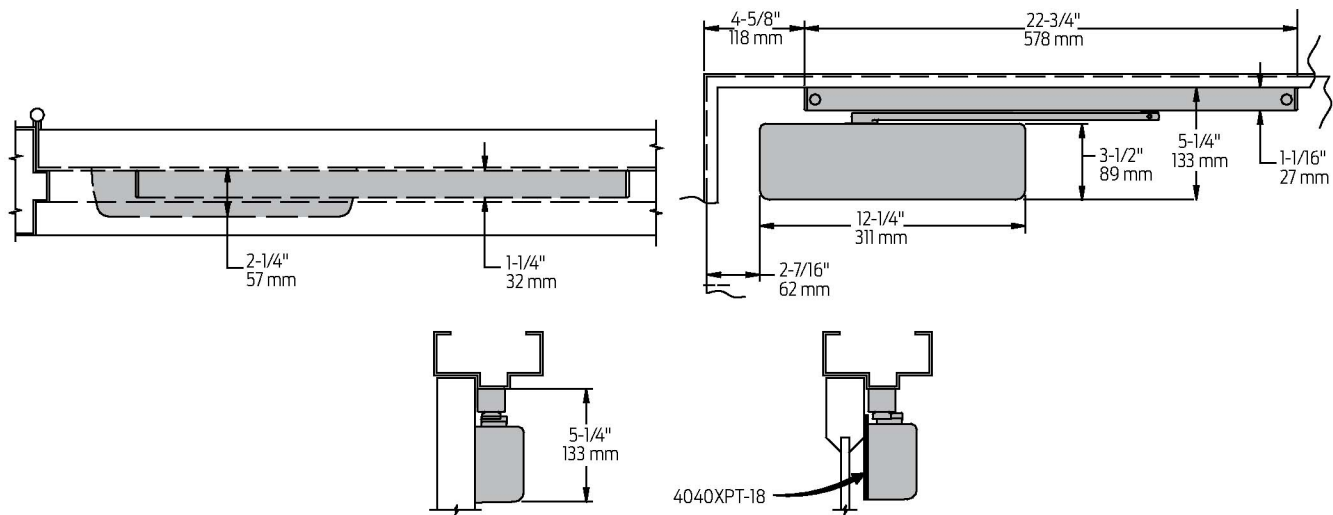
Notes:

- Many track style door closers are capable of allowing 180° of door swing
- The majority of track style closers are at their weakest closing force in the 180° – 130° range
- Consult factory for applications where an exterior or large/heavy door must swing 180°

4040XPT Series

Mounting details

Stop Face (Push Side) Mounting



Butt Hinges	Should not exceed 5" (127 mm) in width
Auxiliary Stop	<ul style="list-style-type: none"> ■ Recommended at hold-open point or where a door cannot swing 120° ■ Optional track bumper assembly assists backcheck in cushioning the opening swing of the door ■ It is not intended to replace an auxiliary stop
Clearance	Projects 2-1/4" (57 mm) from face of door
Top Rail	<ul style="list-style-type: none"> ■ Less than 5-1/4" (133 mm) measured from the stop, requires PLATE, 4040XPT-18 ■ Plate requires 3-1/2" (89 mm) minimum
Stop Width	Minimum 1-1/4" (32 mm)
Maximum Opening	<ul style="list-style-type: none"> ■ Templating allows 120° with standard track arm, limited to 110° with optional bumper tracks ■ Hold-open points at 85°, 90°, 95°, 100°, 105° or 110° with hold-open tracks

Notes:

- Many track style door closers are capable of allowing 180° of door swing
- The majority of track style closers are at their weakest closing force in the 180° – 130° range
- Consult factory for applications where door must swing 180°

Cylinder



4040XPT-3071
Cast Iron Cylinder Assembly

- Non-handed
- Standard

Covers



4040XPT-72
Plastic Cover

- Non-handed
- Snap-on
- Standard



4040XPT-72MC
Metal Cover

- Handed
- Required for plated finishes and custom powder coat finishes
- Optional

Arms



4040XPT-3077T
Standard Arm

- Non-handed
- Arm does not include track roller



4040XPT-3077DE
Double Egress Arm

- Handed
- For double egress doors and frames
- Does not include track roller
- Maximum reveal is 2-11/16" (68mm)
- Optional

Tracks



4040XPT-3038
Standard Track

- Non-handed
- Non hold-open
- Will accept hold-open clip and/or bumper assembly
- Standard



4040XPT-3038B
Standard Track with Bumper

- Non-handed
- Non hold-open
- Will accept hold-open clip
- Optional



4040XPT-3038H
Hold-Open Track

- Non-handed
- With hold-open clip installed
- Will accept bumper assembly
- Optional



4040XPT-3038HB
Hold-Open Track with Bumper

- Non-handed
- With hold-open clip and bumper assembly installed
- Optional

Installation Accessories



4040XPT-18
Plate

- Required for pull side (door mount) installations where top rail is less than 3-3/4" (95 mm)
 - Requires minimum 1-3/4" (44 mm) top rail
- Required for push side (door mount) installations where top rail is less than 5-1/4" (133 mm) measured from the stop
 - Requires minimum 3-1/2" (89 mm) top rail



4040XPT-18TJ
Plate

- Required for pull side top jamb installations where head frame is less than 3-7/8" (98 mm)
- Requires minimum 1-3/4" (44 mm) head frame



4040XPT-169
Track Bumper

- Mounts in track to assist backcheck, does not replace auxiliary stop
- Limits maximum opening. Consists of bumper, bumper post, and mounting screw



4040XPT-3054
Hold-Open Clip

- Mounts in track to provide hold-open function)
- Hold-open point controlled by clip location
- Consists of clip and mounting screws
- Requires 4040XPT-3034H Hold-Open Track Roller



4040XPT-3034
Track Roller

- Quiet, low friction roller assembly
- Shoulder dimension "X" = 1/8" (3mm)



4040XPT-3034H
Hold-Open Track Roller

- Quiet, low friction roller assembly
- Shoulder dimension "X" = 1/8" (3mm)

How-to-order 4040XPT Series closers

1. Select finish

- Standard Powder Coat _____
Aluminum, Dark Bronze, Statuary,
Light Bronze, Black, Brass.

Closer options

Cover

- Metal (specify right or left hand) (MC)

Finish

- Custom Powder Coat (RAL) _____
(handed metal cover required)
- Plated Finish, US _____
(handed metal cover required)
- SRI primer (use with powder coat finishes only)

Track

- Regular with Bumper (BUMPER)
- Hold-Open (HO)
- Hold-Open with Bumper (HBUMPER)

Closer will be shipped with:

- Standard cylinder
- Standard cover
- Standard arm
- Track roller
- Standard track
- Self-reaming and tapping screws
unless options listed below are selected.

Specific Screw Pack

- TB* w/Self-Reaming and Tapping Screws (TBSRT)
 - Wood & Machine Screw (WMS)
 - TB*, Wood & Machine Screw (TBWMS)
 - TORX Machine Screw (TORX)
 - TB* & TORX Machine Screw (TBTORX)
- * Specify door thickness if other than 1-3/4".

Installation Accessories

- Plate, 4040XPT-18
- Plate, 4040XPT-18TJ

Special Template

- ST- _____

Table of sizes

- Non-Sized 4040XPT cylinder is adjustable from sizes 1 thru 4 and is shipped set to size 3



Reduced opening force 4040XPT Series closers

CAUTION ! Any manual door closer, including those certified by BHMA to conform to ANSI Standard A156.4, that is selected, installed and adjusted based on ADA or other reduced opening force requirements may not provide sufficient power to reliably close and latch a door.

Refer to POWER OPERATORS section for information on systems that meet reduced opening force requirements without effecting closing power.

	DOOR WIDTH	36"	42"	48"
	8.5* lbs.	N/A	N/A	N/A
	5.0* lbs.	4040XPT	4040XPT	4040XPT

* Maximum opening force.