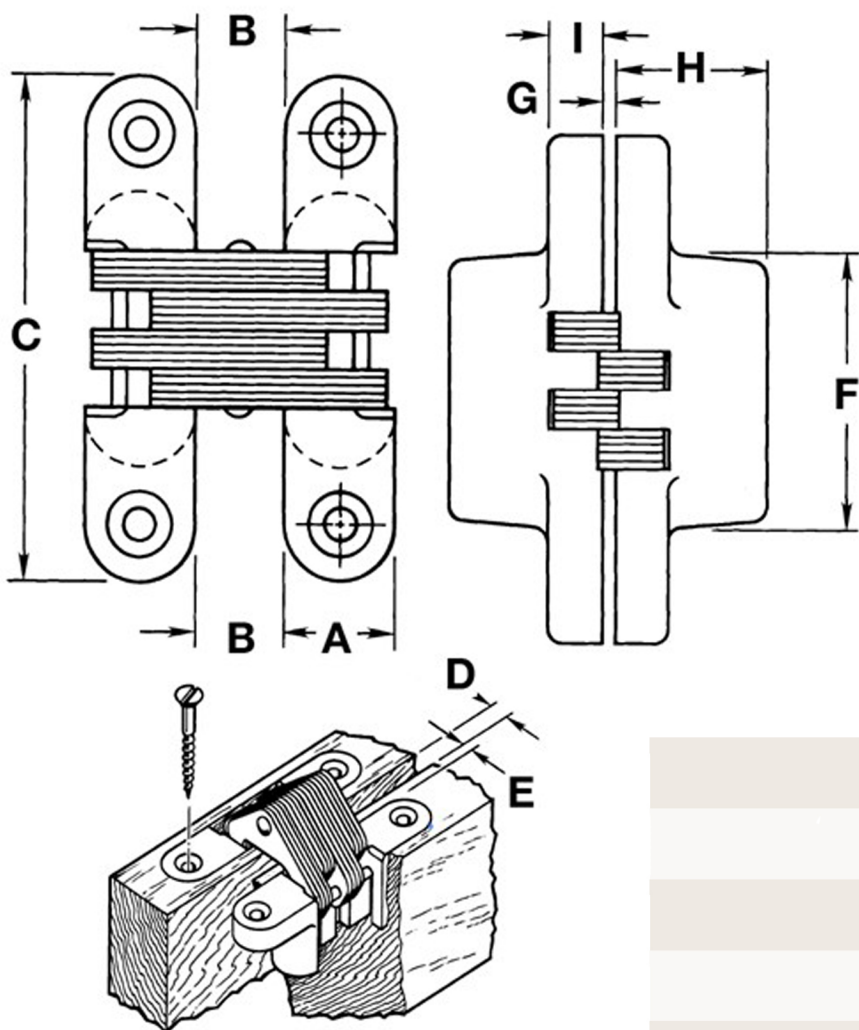


SOSS-208 – 1 Inch Thick Door Invisible Door Hinge



A	5/8" (15.8mm)
B	29/64" (11.51mm)
C	2-3/4" (69.85mm)
D	9/64" (3.57mm)
E	5/32" (3.97mm)
F	1-11/32" (34.13mm)
G	3/64" (1.19mm)
H	29/32" (23.02mm)
I	9/32" (7.14mm)
Min. Matl. Thickness	1" (25.40mm)
Wood Screw Sizes	#8x1-1/4" (4.2x32mm)
Soft Wood Pilot Hole	No. 48
Hard Wood Pilot Hole	No. 35
Machine Screw Sizes	#8-32x5/8"
Hinge Weight	.34 lb.