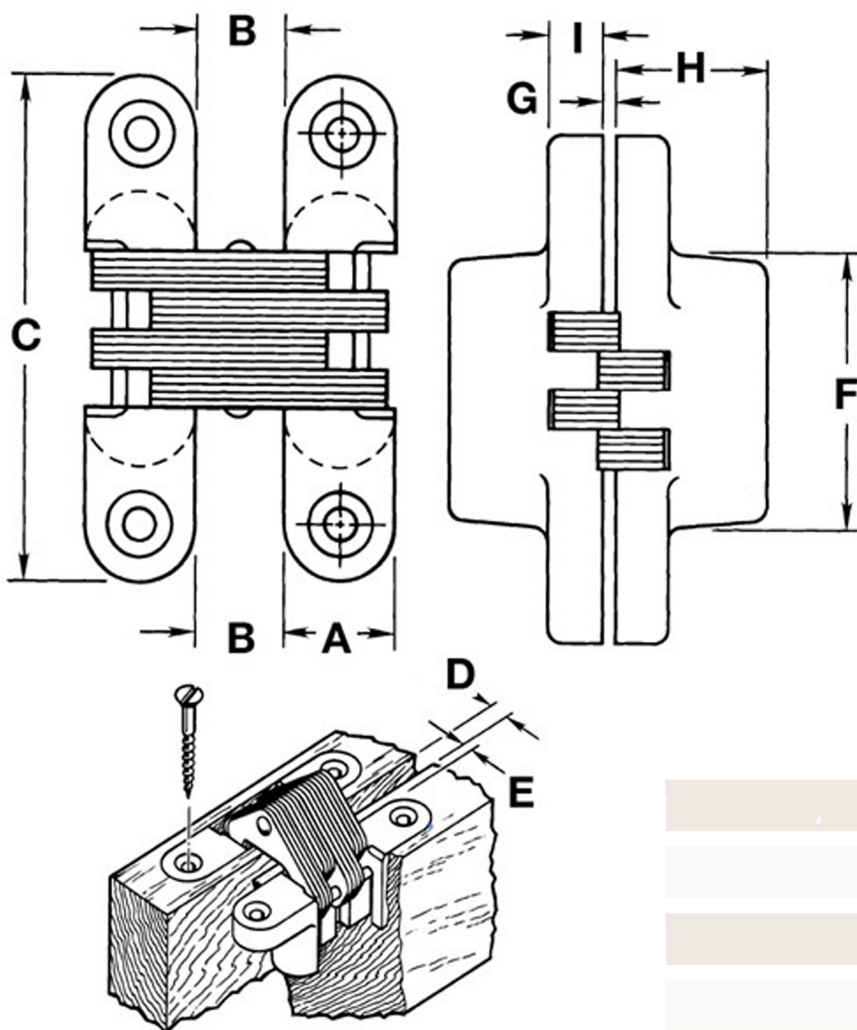


SOSS-220 – 2 Inch Thick Door Invisible Door Hinge



A	1-3/8" (34.93mm)
B	1-1/16" (26.99mm)
C	5-1/2" (139.70mm)
D	1/2" (12.70mm)
E	9/32" (7.14mm)
F	2-15/16" (74.61mm)
G	1/16" (1.59mm)
H	1-15/16" (49.21mm)
I	15/32" (11.91mm)
Min. Matl. Thickness	2" (50.80mm)
Wood Screw Sizes	#12x1-1/2" (5.5x38mm)
Soft Wood Pilot Hole	No. 38
Hard Wood Pilot Hole	No. 25
Machine Screw Sizes	#12-24x1"
Hinge Weight	3.80 lb.