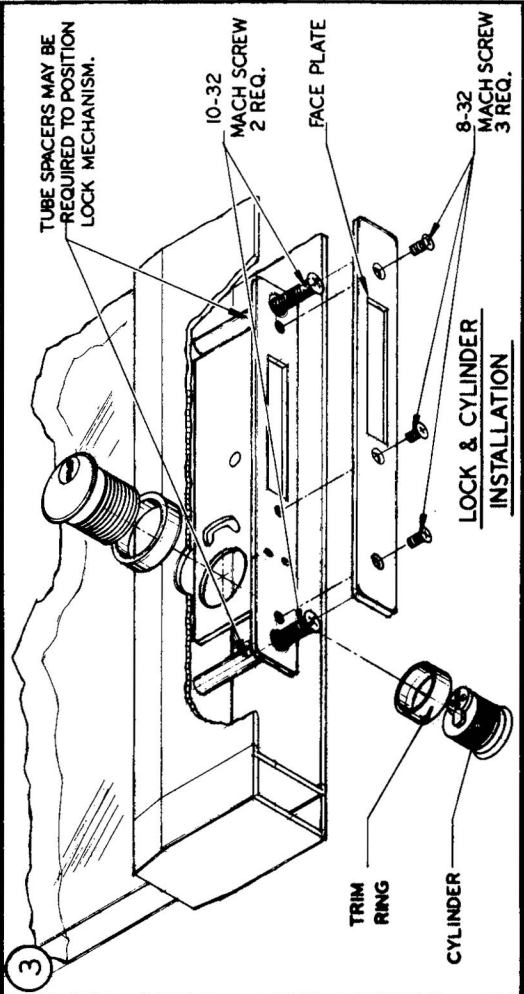
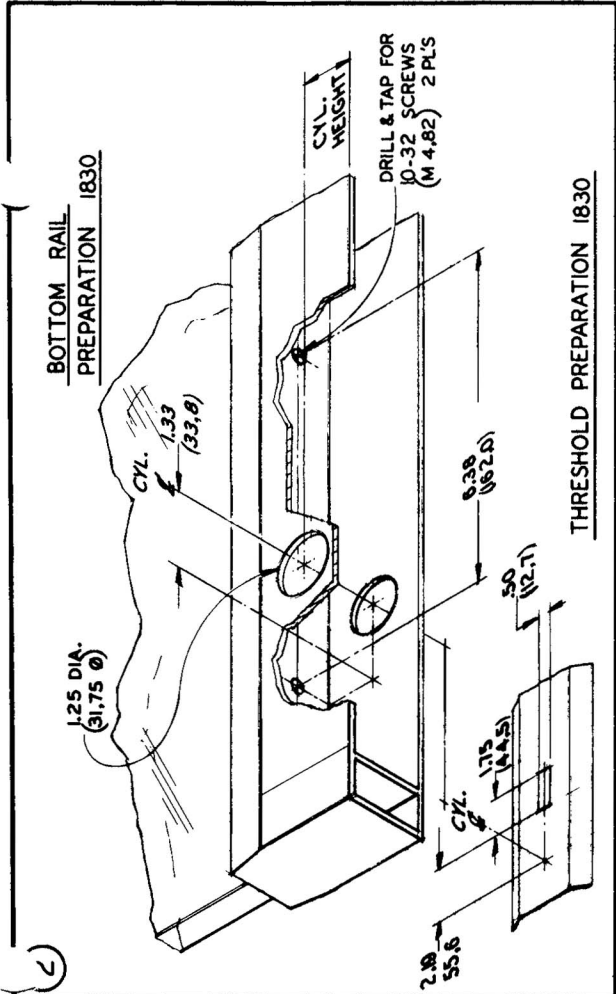


# Adams Rite 1830 - Bottom Rail Deadlock

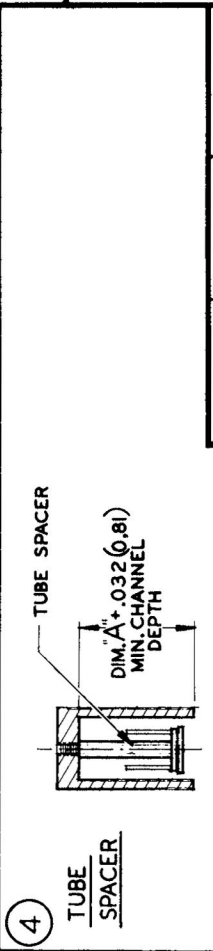
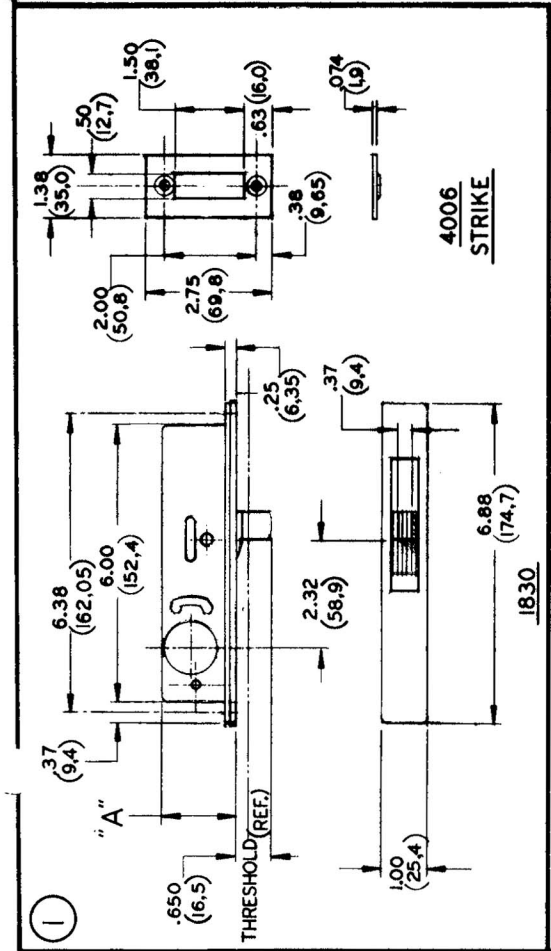


**LOCK & CYLINDER INSTALLATION**

WHEN ORDERING, SPECIFY:

1. QUANTITY
2. SPECIFY CATALOG NO. 1830 PLUS DASH NO. FOR LOCK DEPTH AND CYL. HEIGHT ACCORDING TO CHART.
3. IF CYLINDERS ARE REQUIRED, SPECIFY KEYING AND TRIM RING THICKNESS.
4. IF TUBE SPACERS ARE REQUIRED, SPECIFY NUMBER AND LENGTH.
5. DIMENSIONS IN PARENTHESIS ARE IN MILLIMETERS.
6. ORDER 4006 SPRIKE SEPARATELY IF REQUIRED.

**1830 SERIES DEADLOCK**

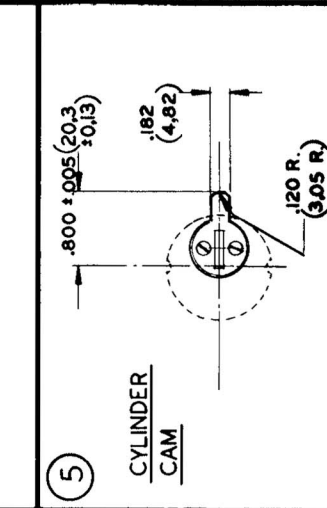


DASH NUMBER	CYLINDER HEIGHT	DIM. 'A'
-02	31/32" (24.6)	1.63" (41.4)
-03	1 1/8" (28.6)	1.78" (45.2)

**6 CYLINDER TRIM RING**

TRIM RING THICKNESS (TR) WILL VARY WITH SPECIFIC CYLINDER MAKE, NO. OF PINS, AND BOTTOM RAIL THICKNESS. TO DETERMINE TRIM RING THICKNESS, USE THE FOLLOWING FORMULA.

TR = A · .125 · B



1830 SERIES LOCKS ARE OPERABLE BY ANY STANDARD 1.5/32" (20.3) DIA. MORTISE CYLINDER WITH SPECIAL "MS" CAM DIMENSIONED AS ABOVE. CYLINDERS WITH "MS" CAMS CAN BE READILY OBTAINED FROM MOST CYLINDER MANUFACTURERS.

**ADAMS RITE MANUFACTURING COMPANY** ARCHITECTURAL PRODUCTS DIVISION  
INDUSTRY, CALIFORNIA 91749

DATE OCT 1983 P/N: 80-0180-71