

# SDML334

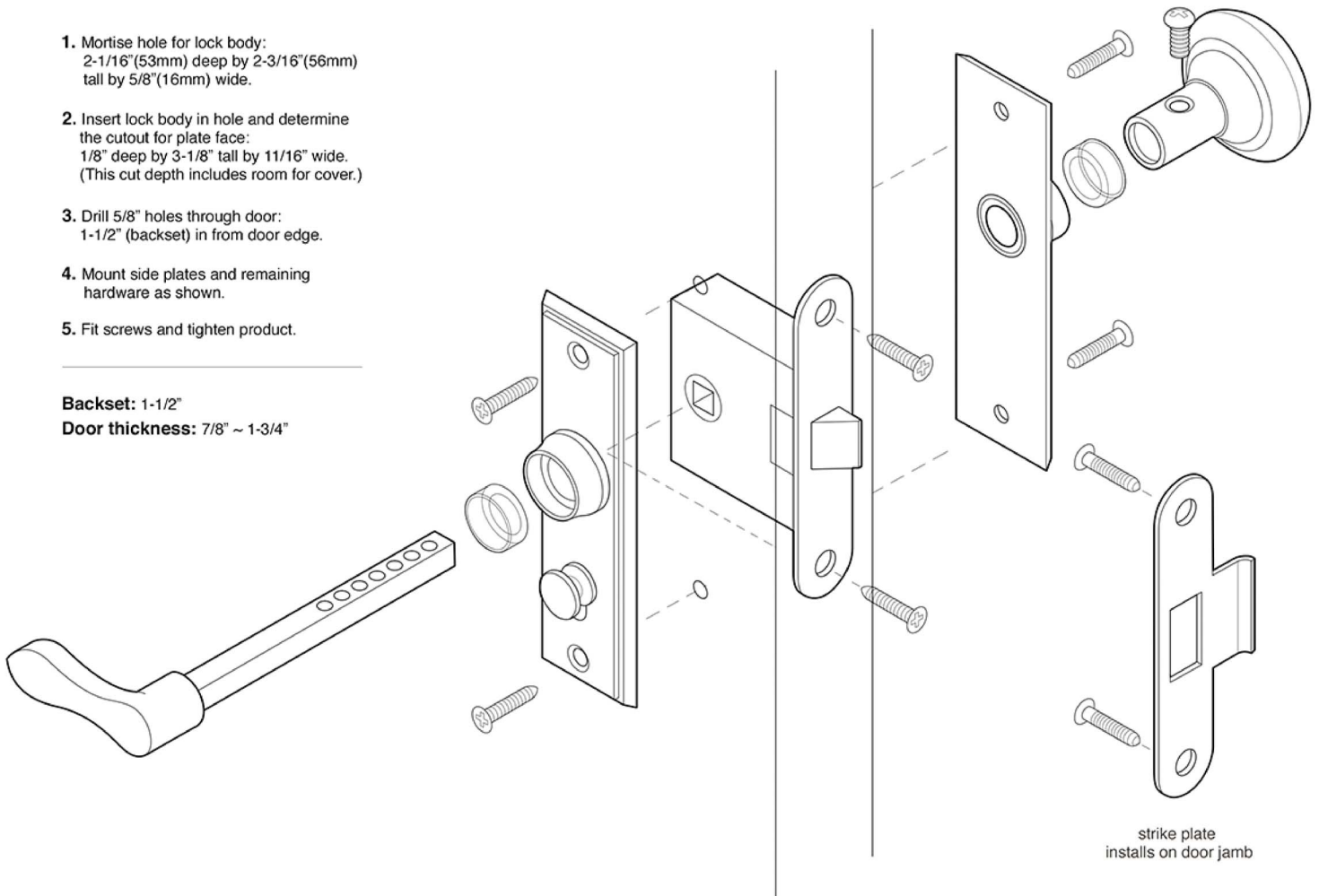
## INSTRUCTIONS FOR INSTALLATION OF SCREEN DOOR LATCH / MORTISE LOCK



1. Mortise hole for lock body:  
2-1/16" (53mm) deep by 2-3/16" (56mm) tall by 5/8" (16mm) wide.
2. Insert lock body in hole and determine the cutout for plate face:  
1/8" deep by 3-1/8" tall by 11/16" wide.  
(This cut depth includes room for cover.)
3. Drill 5/8" holes through door:  
1-1/2" (backset) in from door edge.
4. Mount side plates and remaining hardware as shown.
5. Fit screws and tighten product.

**Backset:** 1-1/2"

**Door thickness:** 7/8" ~ 1-3/4"



strike plate  
installs on door jamb

DRAWING NOT TO SCALE

NOTE: Deltana reserves the right to constantly improve its products and is not responsible for differences between the product in-hand and the specifications contained in this drawing. We do not recommend to pre-drill holes or pre-cut woods or metals based on the drawing information if the veracity of the specifications has not been proven by the live product.