

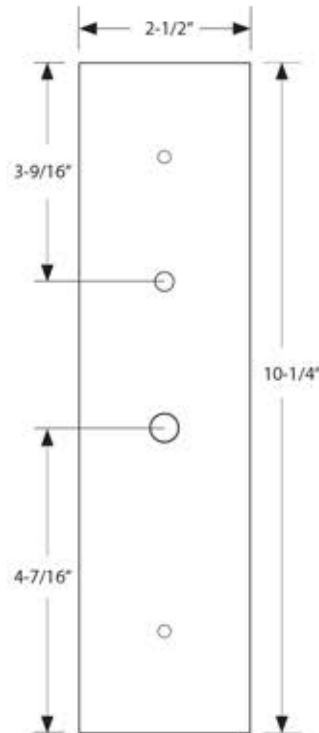
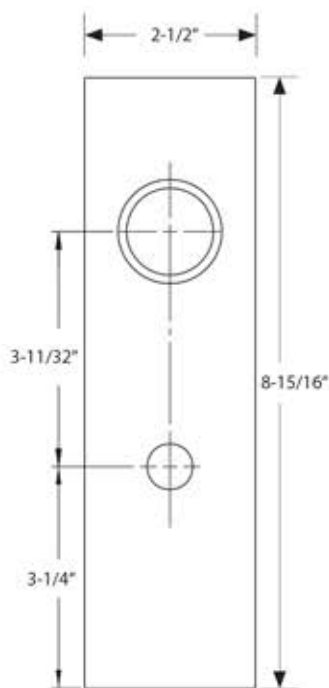
# Emtek 3545

Part# UL 3545



Outside Trim

Inside Trim



## Door Thickness Specifications

### Standard Door Thickness: 1-3/4"

Standard Components:

- 1-38" Threaded Cylinder
- 2" Long Spindle
- 2" Top Rosette Screw
- 1-1/2" Bottom Rosette Screw
- Thumbpress
- Strikeplate

### Extended Door Thickness: 1-7/8" - 2-1/4"

Extended Components:

- 1-1/2" Threaded Cylinder
- 2" Long Spindle
- 2-1/2" Top Rosette Screw
- 2" Bottom Rosette Screw
- Thumbpress
- Strikeplate

### Extended Door Thickness: 2-3/8" - 2-3/4"

Extended Components:

- 1-3/4" Threaded Cylinder
- 2-1/4" Long Spindle
- 2-1/2" Top Rosette Screw
- 2" Bottom Rosette Screw
- Extended Thumbpress
- Extended Strikeplate