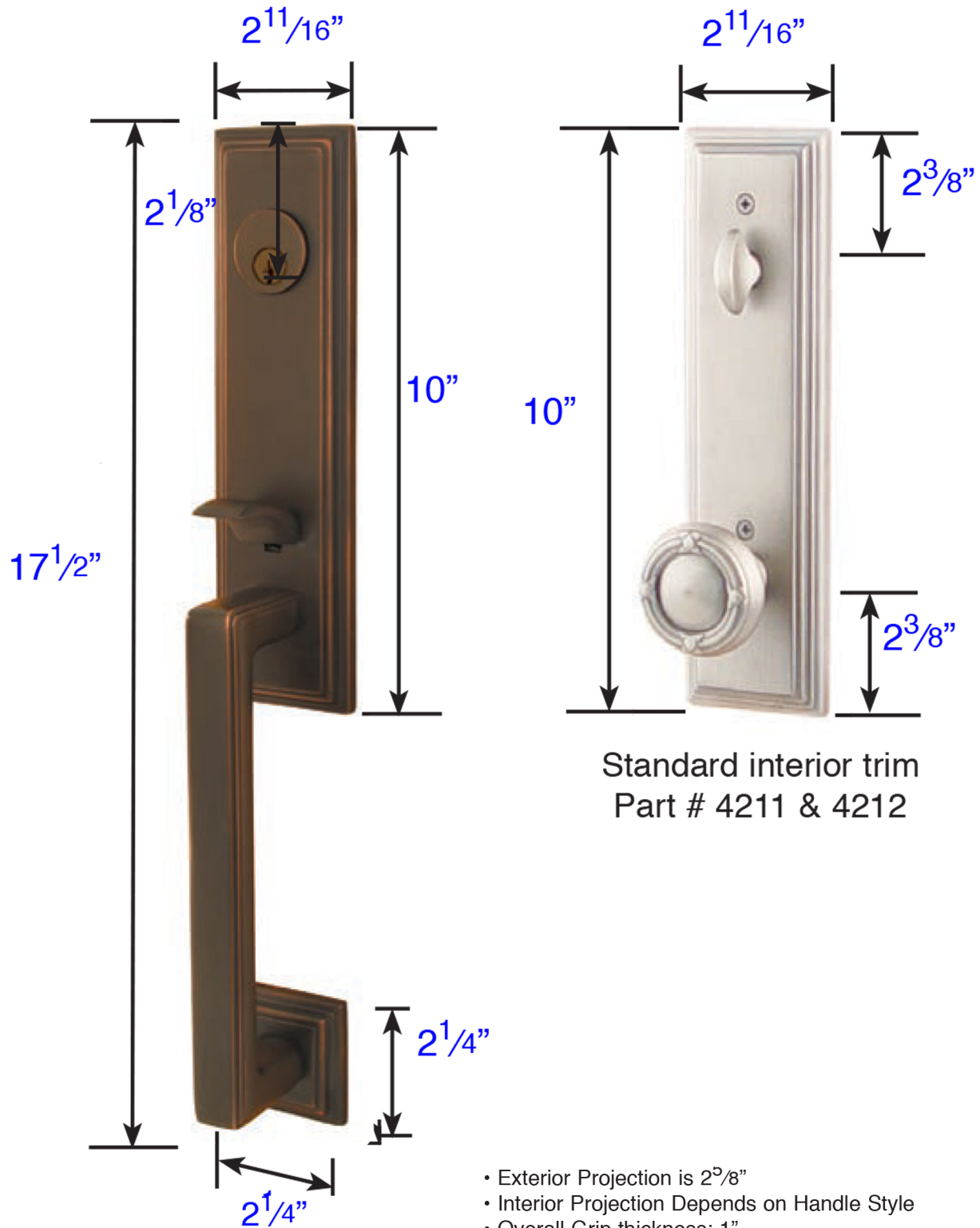


Emtek Wilshire Handleset



Standard interior trim
Part # 4211 & 4212

- Exterior Projection is $2\frac{3}{8}$ "
- Interior Projection Depends on Handle Style
- Overall Grip thickness: 1 "
- Clearance between door & grip is $1\frac{3}{8}$ "
- Plates thickness: $\frac{1}{2}$ "