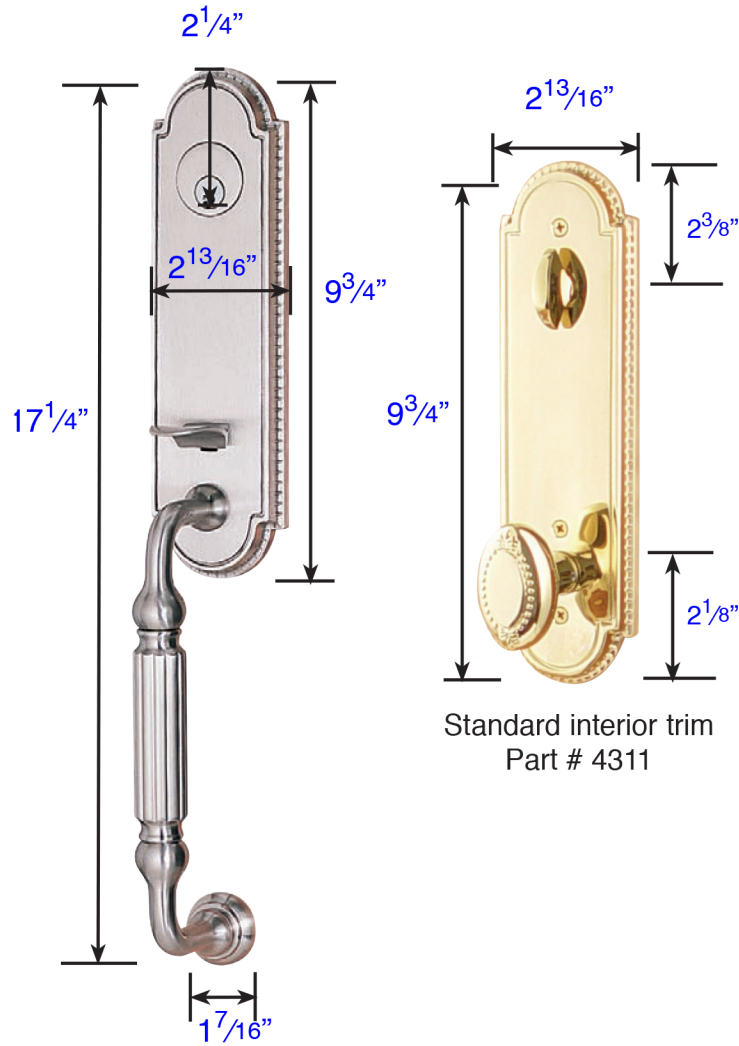


Emtek 4311 Orleans Handleset



Orleans Style
Part # 4311

Standard interior trim
Part # 4311

Additional Dimensions: (Part # 4311)

- Exterior Projection is 3"
- Interior Projection Depends on Handle Style
- Overall Grip thickness: 1"
- Clearance between door & grip is 1 1/2"
- Plates thickness: 1/2"

*Same Dimensions for
Double Cylinder & Dummy Function*