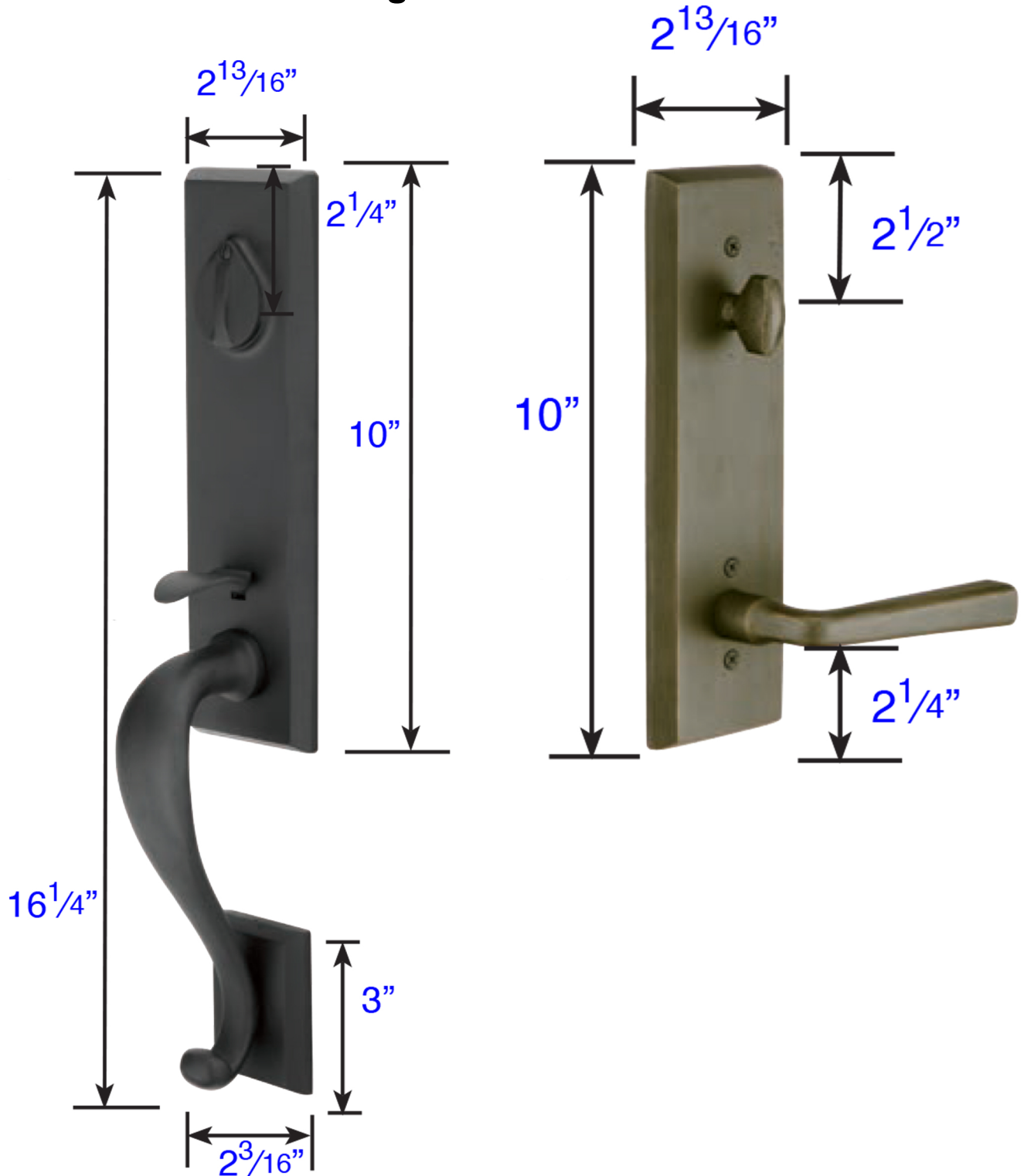


## Emtek Rectangular Monolithic Handleset



- Exterior Projection is 3"
- Interior Projection Depends on Handle Style
- Overall Grip thickness:  $1^{11}/16''$
- Clearance between door & grip is  $1^{7}/8''$
- Plates thickness:  $1/2''$