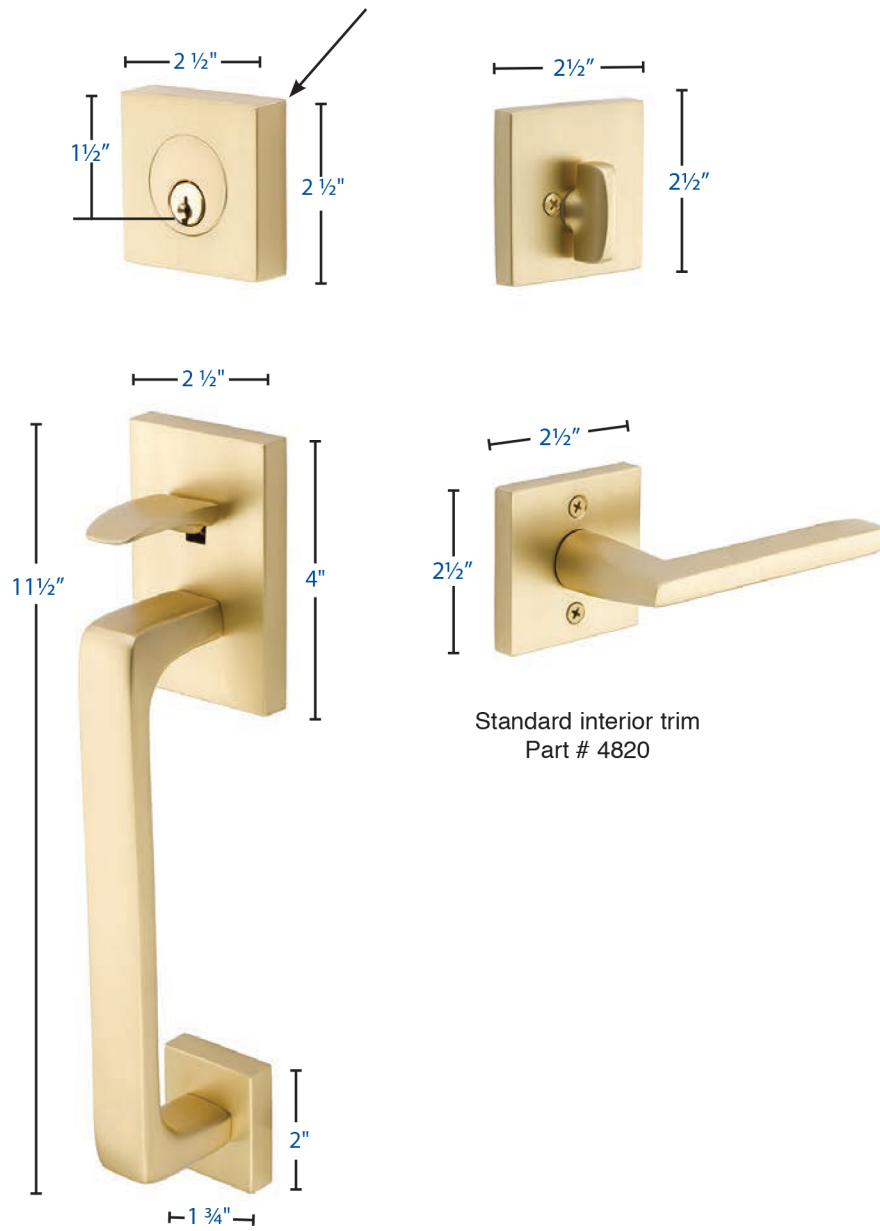


# Emtek Baden Handleset

Deadbolt Plate Thickness:  $\frac{5}{8}$ "



Standard interior trim  
Part # 4820

Baden Style  
Part # 4820

## Additional Dimensions: (Part # 4820)

- Exterior Projection is  $2\frac{1}{2}$ "
- Interior Projection Depends on Handle Style
- Overall Grip thickness:  $1$ "
- Clearance between door & grip is  $1\frac{7}{8}$ "
- Plates thickness:  $\frac{1}{2}$ "