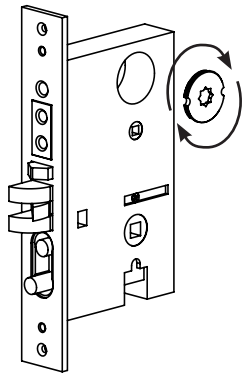


**Installation Guide - F20 Mortise Lock**

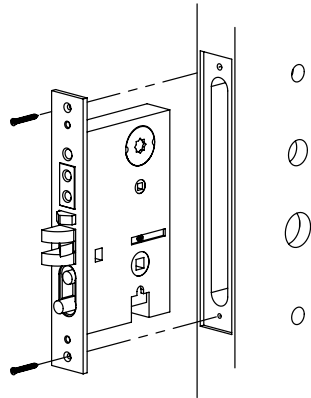
**1. Install Cylinder Plug**

Install cylinder plug by threading it clockwise onto lock body



Note: Notch on cylinder plug must be in the 9 o'clock position when fully screwed onto lock body.

**2. Install Mortise Lock**

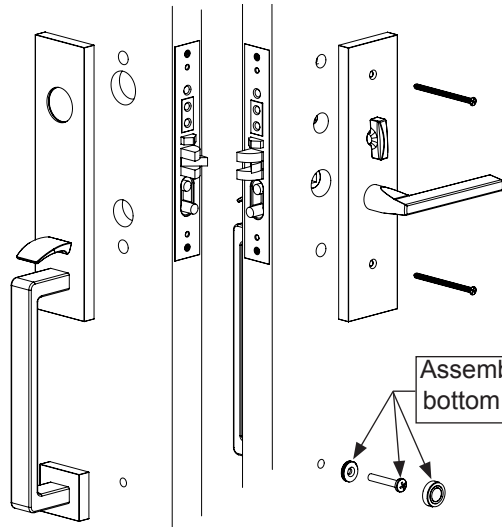


See template for door prep specifications

**3. Mount Inside and Outside Trim to Door**

Outside

Inside

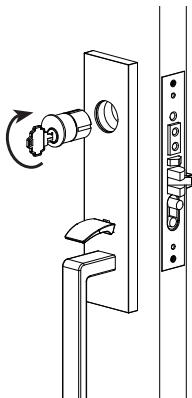


Assemble to bottom tube

Plates and grip vary depending on style.

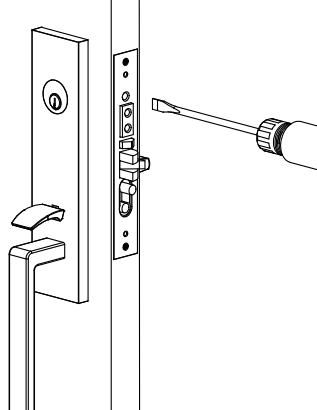
**4. Install Key Cylinder**

Install key 3/4 of the way into the key cylinder and thread it clockwise onto trim plate.

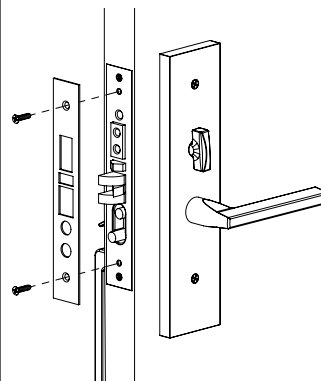


**5. Tighten Key Cylinder**

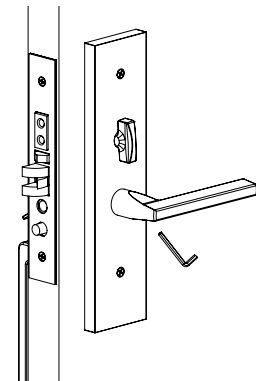
After key cylinder is installed, secure cylinder by tightening screw



**6. Install Trim Plate**

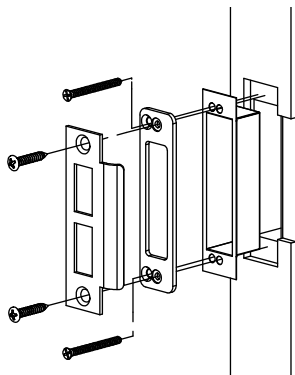


**7. Tighten Inside Lever or Knob**



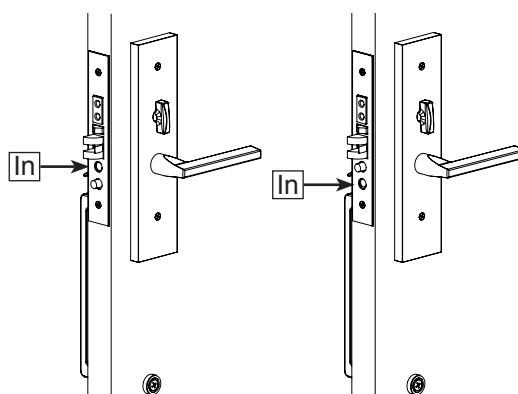
Tighten Lever with 3/32 Hex wrench (provided).

**8. Install Door Jamb**



See template for door jamb prep specifications

**9. Passage/Privacy lock**



Thumb press Locked

Thumb press Unlocked

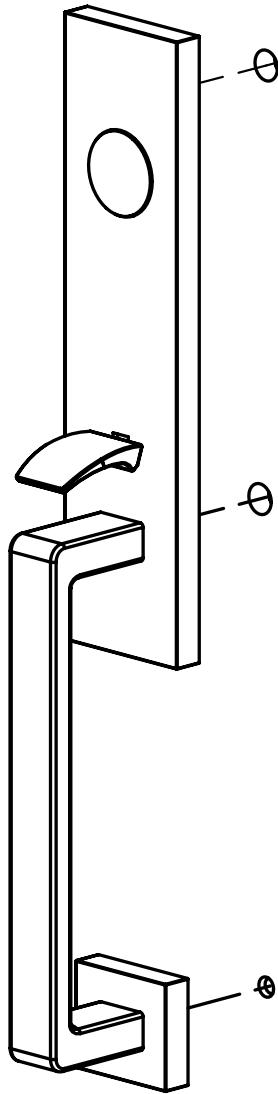
**Instructions to reverse swing**

1. Remove dowel screw. (Replace after reversing swing)

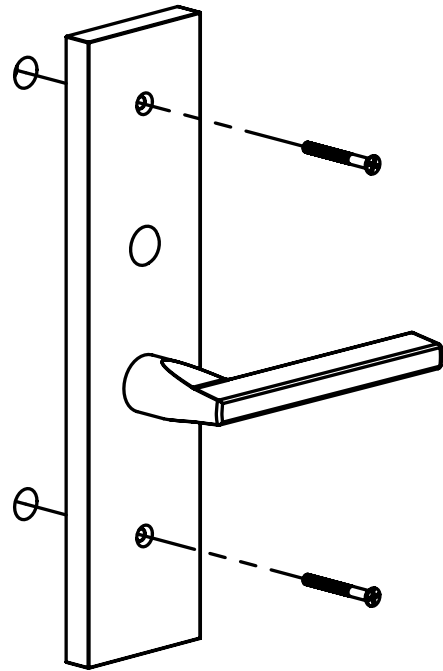
2. Pull out and rotate Latch bolt to reverse its direction.



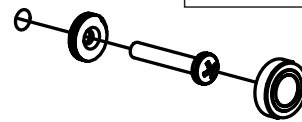
Outside



Inside



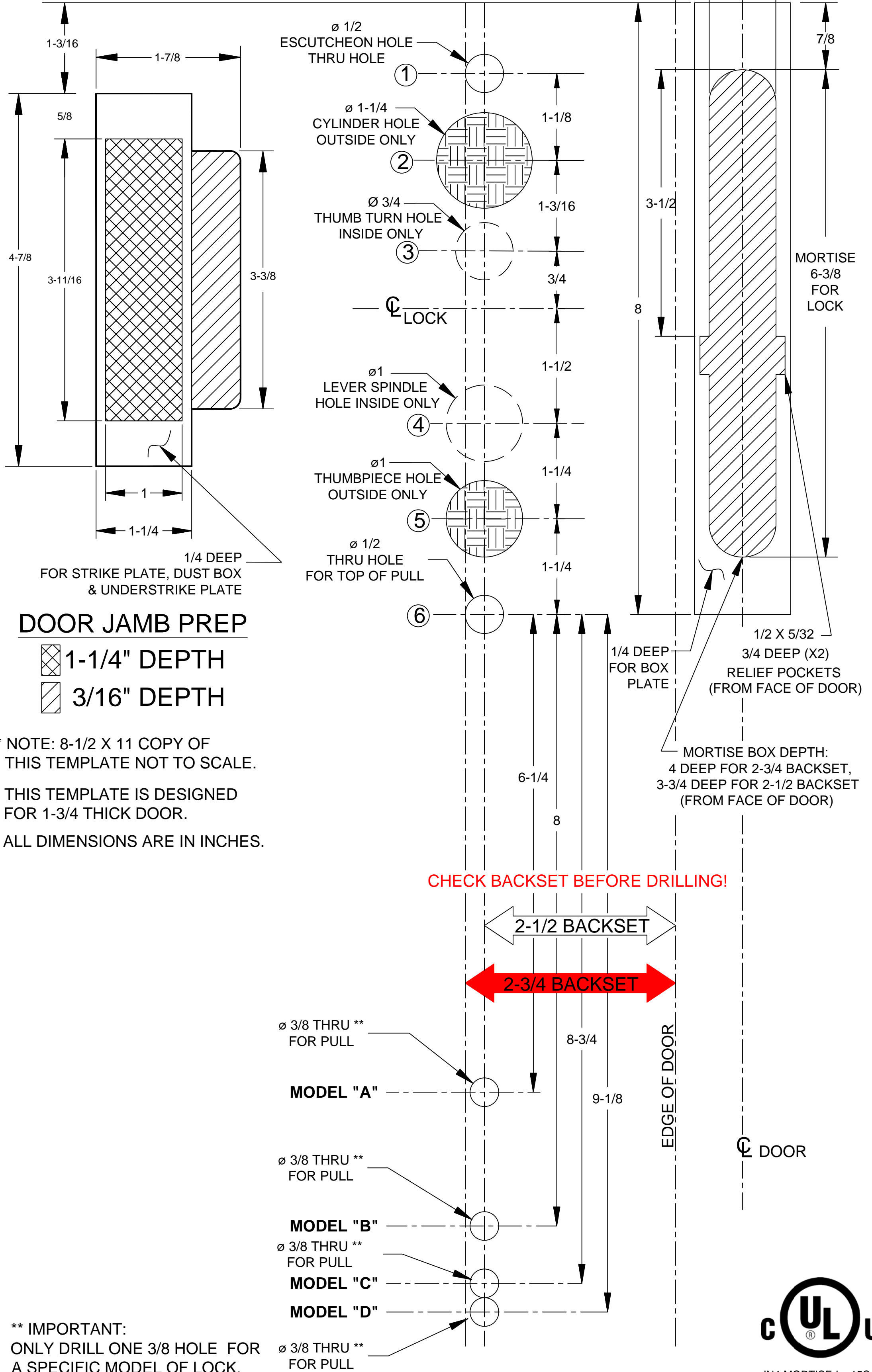
Assemble to  
bottom tube



See template for door prep  
specifications

Plates and grip vary depending on style.

**UL GRIP BY LEVER, GRIP BY KNOB  
ACTIVE MORTISE LOCK  
HOLE PREPARATION  
(LEFT HAND)\***

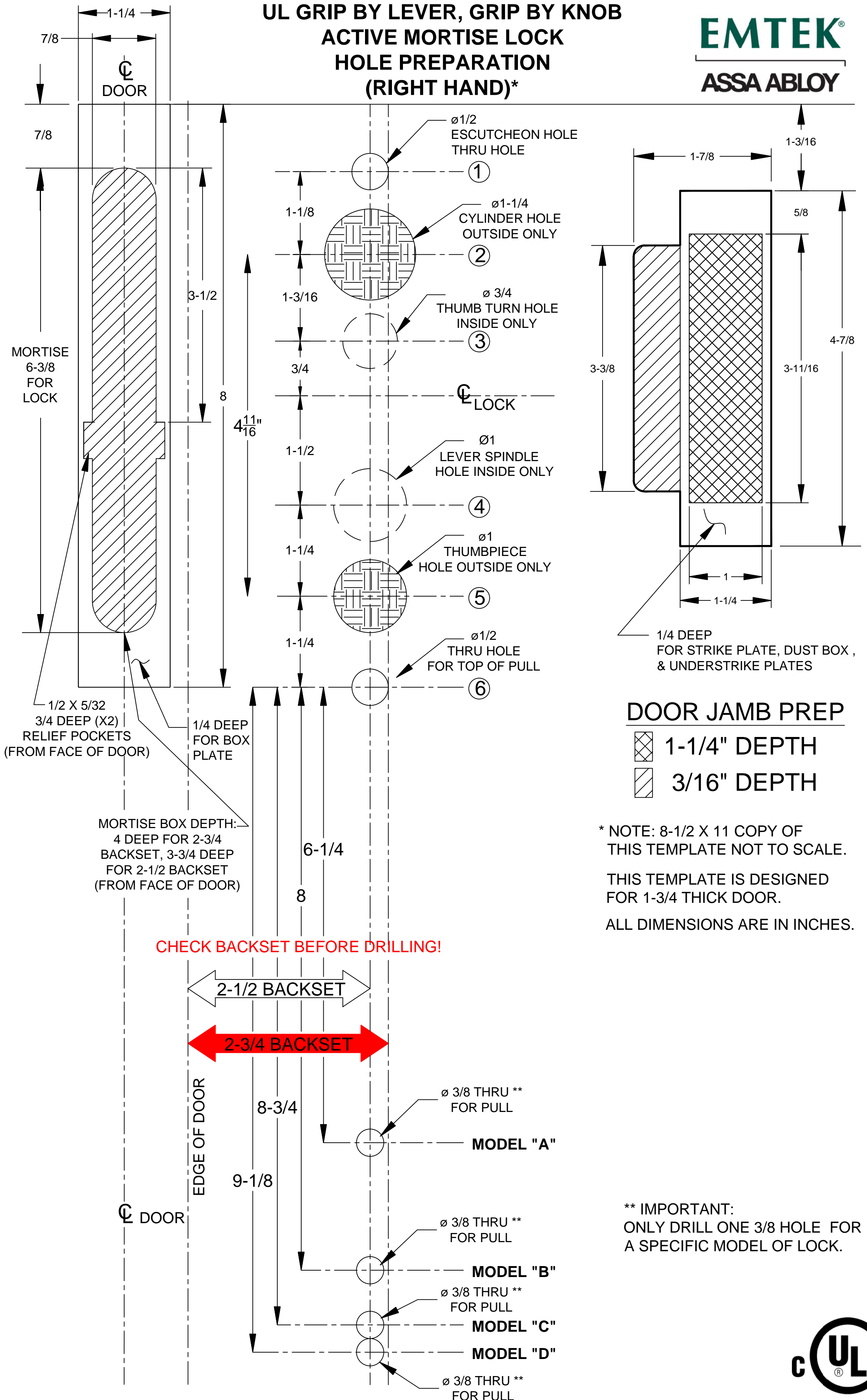


\* NOTE: 8-1/2 X 11 COPY OF THIS TEMPLATE NOT TO SCALE.  
THIS TEMPLATE IS DESIGNED FOR 1-3/4 THICK DOOR.  
ALL DIMENSIONS ARE IN INCHES.

\*\* IMPORTANT:  
ONLY DRILL ONE 3/8 HOLE FOR A SPECIFIC MODEL OF LOCK.

**UL GRIP BY LEVER, GRIP BY KNOB  
ACTIVE MORTISE LOCK  
HOLE PREPARATION  
(RIGHT HAND)\***

**EMTEK®  
ASSA ABLOY**



\* NOTE: 8-1/2 X 11 COPY OF THIS TEMPLATE NOT TO SCALE. THIS TEMPLATE IS DESIGNED FOR 1-3/4 THICK DOOR. ALL DIMENSIONS ARE IN INCHES.

\*\* IMPORTANT: ONLY DRILL ONE 3/8 HOLE FOR A SPECIFIC MODEL OF LOCK.

