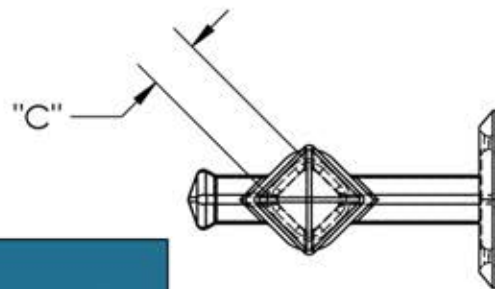
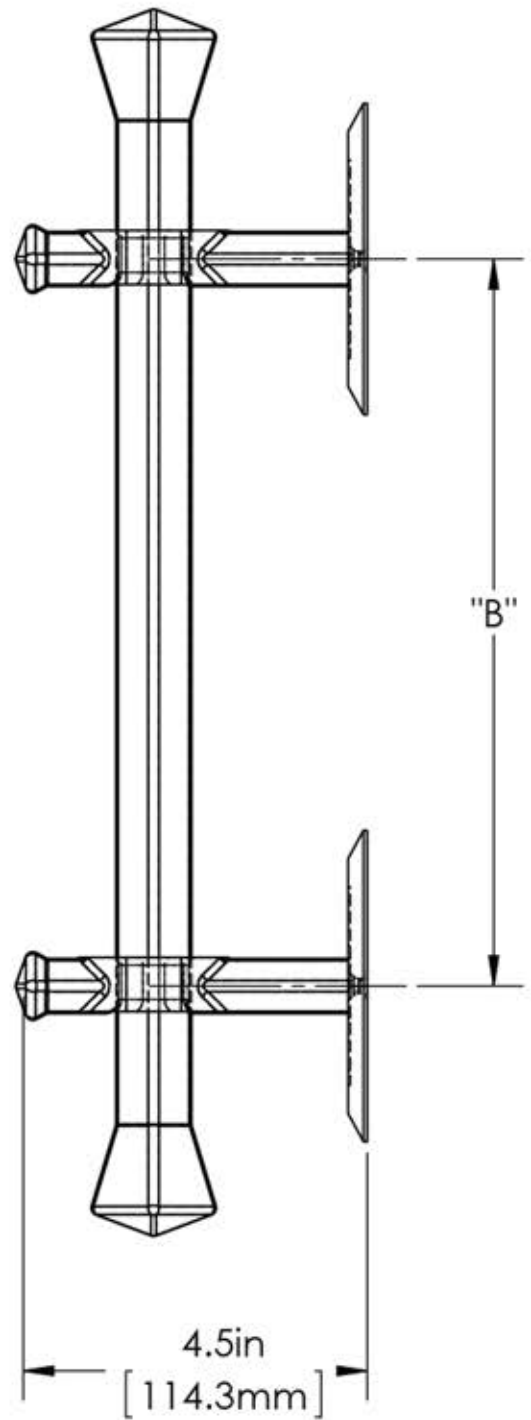
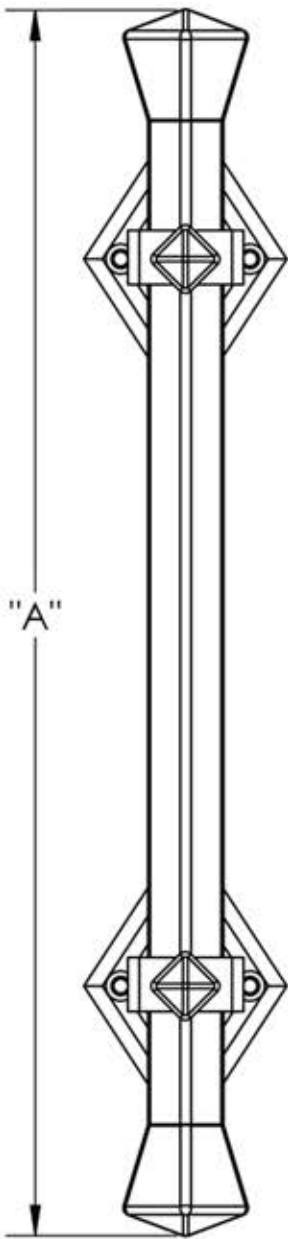


First Impressions SNJ2015FRDSST



Overall Length "A"	Center To Center "B"	Overall Diameter "C"
15 3/4"(400mm)	9 11/16"(246mm)	3/4"(19mm)