

Grandeur Circulaire Deadbolt

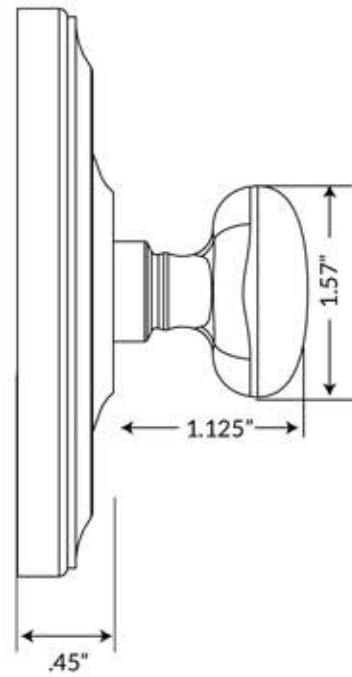
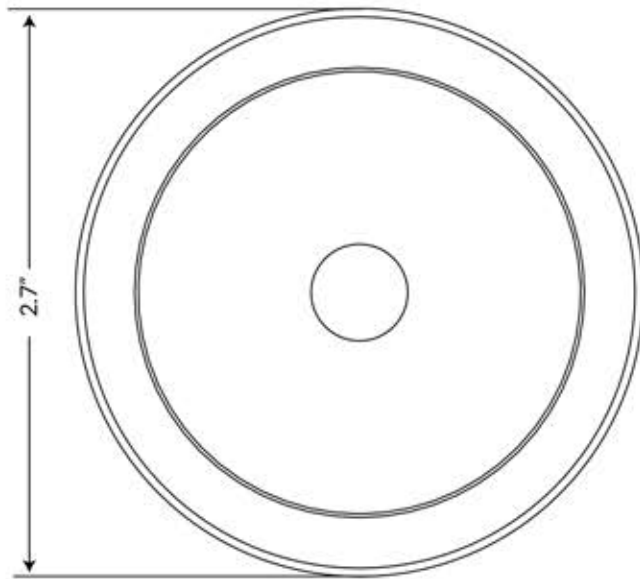


Plate Dimensions:	2.7" Diameter
Rosette Thickness:	0.45"
Thumbturn Height:	1.57" H
Thumbturn Projection:	1-1/8"
Material:	Solid Forged Brass
Functions:	Single or Double Cylinder
Cylinder:	5-pin, C-keyway
Backset:	2-3/8" (Standard) 2-3/4" (Available)
Door Thickness:	1-3/4" to 2-1/4"