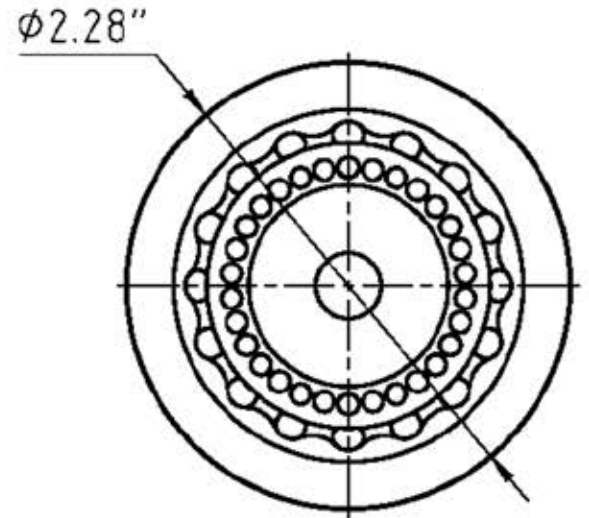
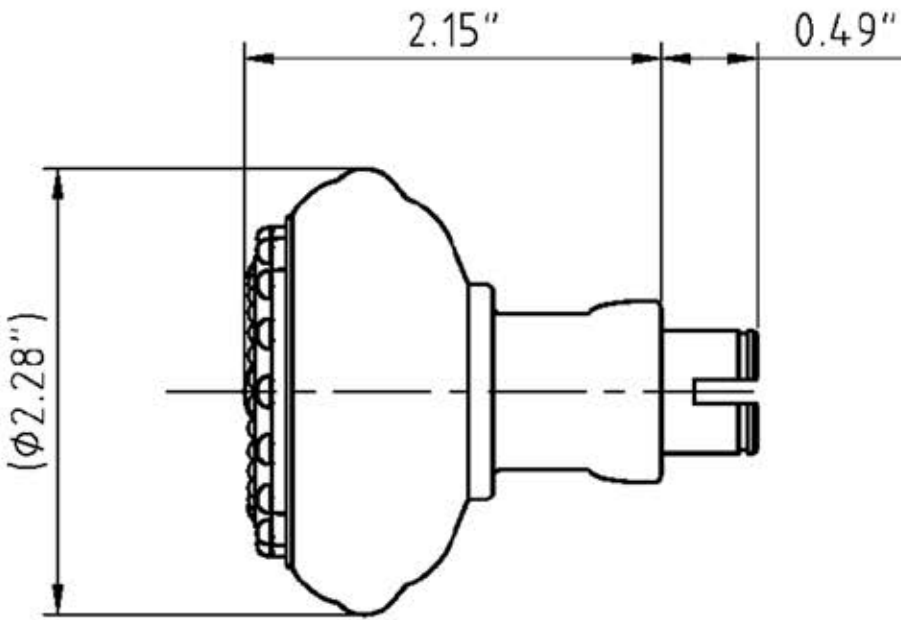
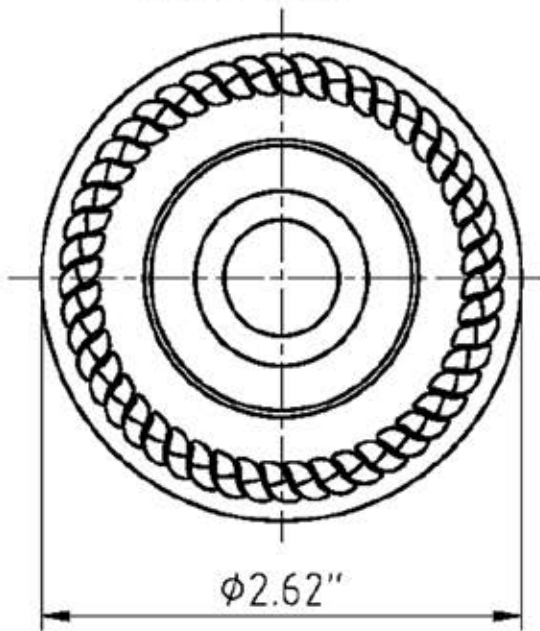


# Grandeur NEWPAR

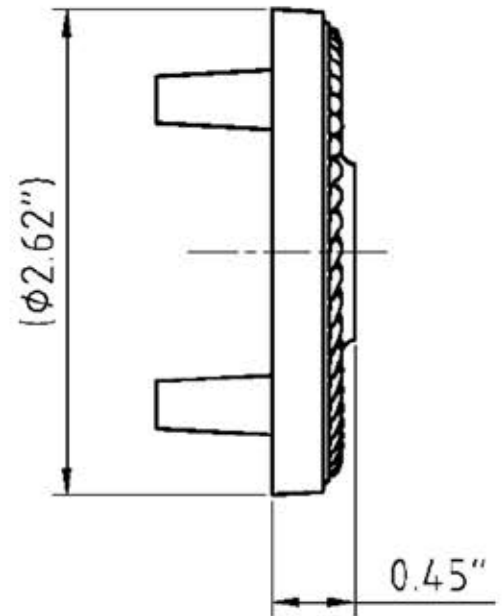


Side View



Front View

Front View



Side View