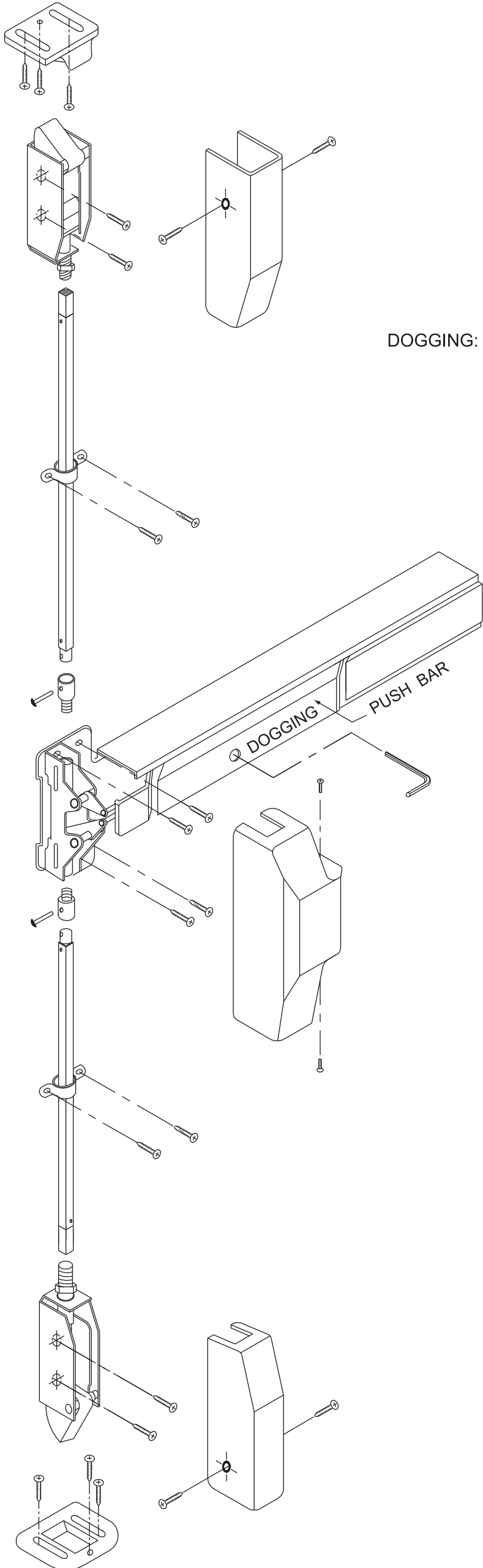
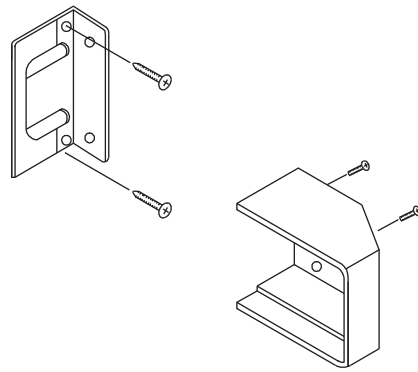


# 4200V VERTICAL ROD EXIT DEVICE-REVERSIBLE INSTALLATION INSTRUCTIONS

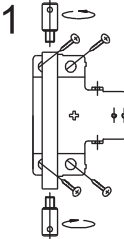
LHR door shown, RHR door opposite

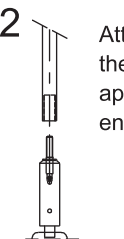


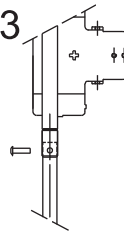
**DOGGING:** Depress push bar. Insert dogging wrench and turn 90°. The push bar will remain depressed and the latch will remain retracted.

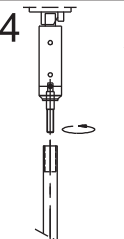


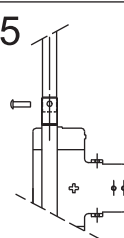
## STEPS:

- 

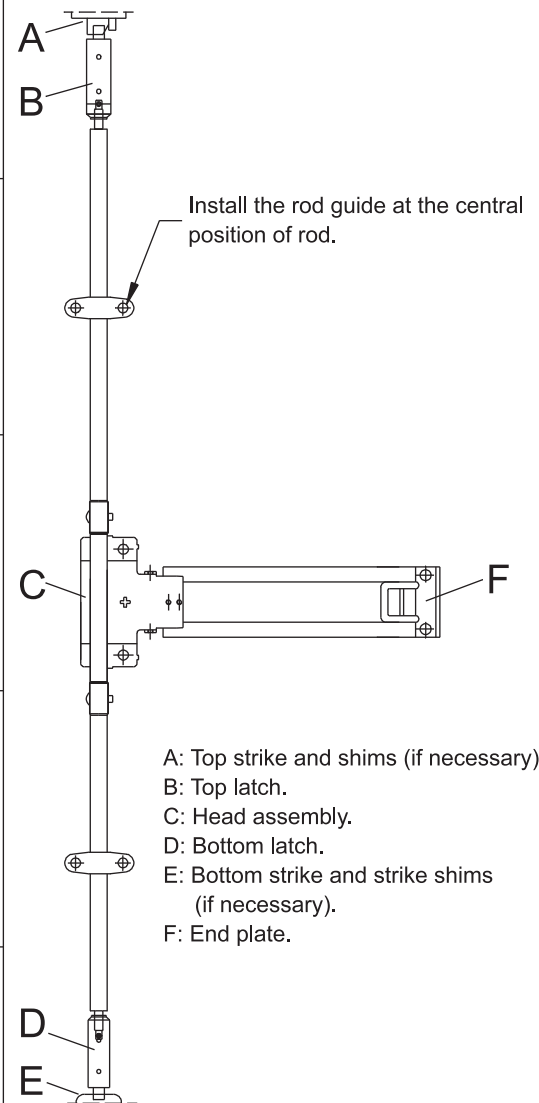
**1** Remove the tube adapters then attach the head assembly to the door with 4 screws as shown. Reinstall the tube adapters.
- 

**2** Attach the bottom rod (short rod) to the bottom latch and turn it in to approximately  $\frac{3}{4}$ " (19mm) engagement.
- 

**3** Attach the bottom tube to the tube adapter on the head assembly and secure with a hollow rivet.
- 

**4** Attach the top tube (long tube) to the top latch and turn it in to approximately  $1-\frac{1}{8}$ " (28mm) engagement.
- 

**5** Attach the top tube to the tube adapter on the head assembly and secure with a hollow rivet.



A: Top strike and shims (if necessary).  
 B: Top latch.  
 C: Head assembly.  
 D: Bottom latch.  
 E: Bottom strike and strike shims (if necessary).  
 F: End plate.

# 4200V TEMPLATE

