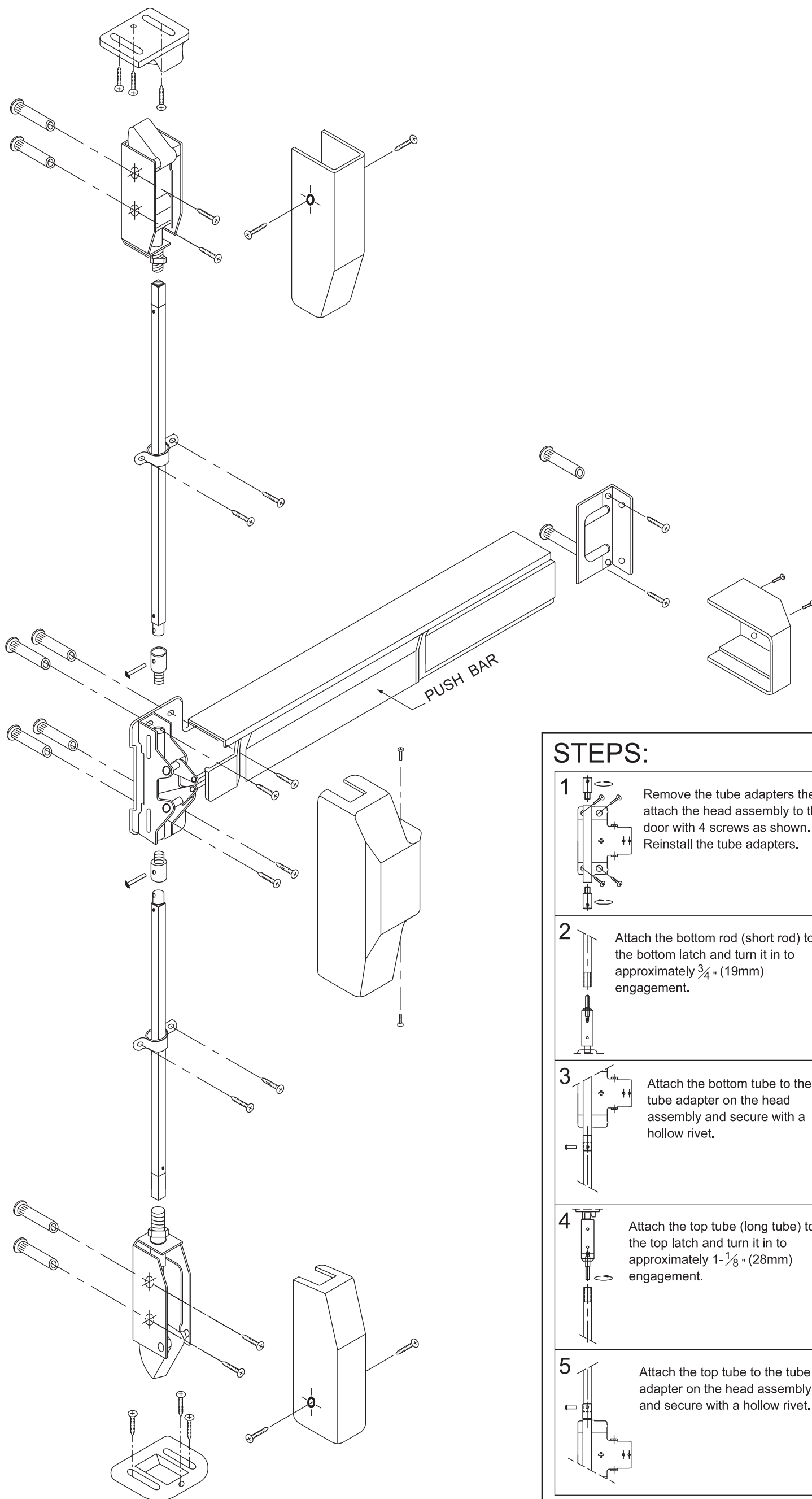


# 4200VF VERTICAL ROD FIRE RATED EXIT DEVICE-REVERSIBLE

## INSTALLATION INSTRUCTIONS

LHR door shown, RHR door opposite



### STEPS:

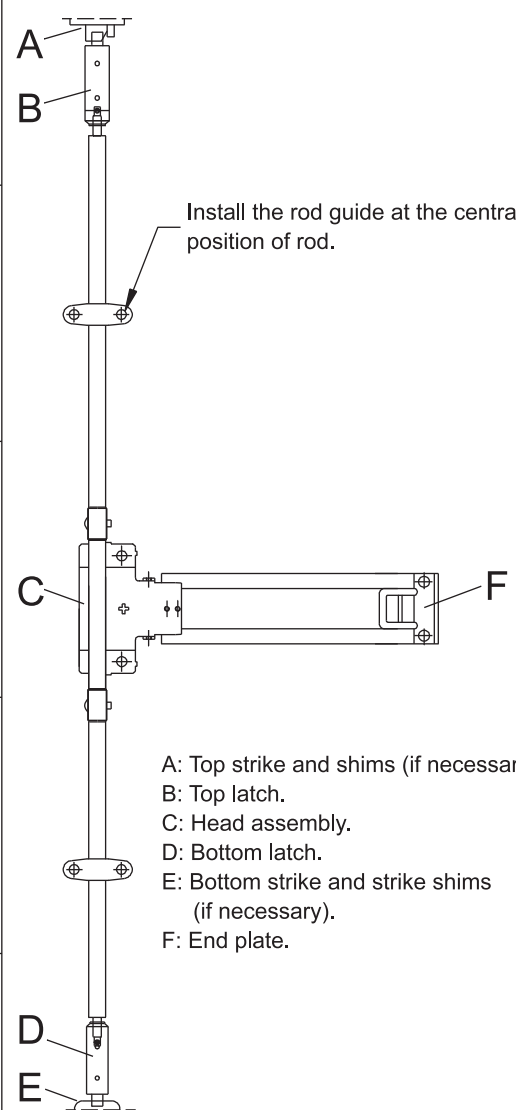
**1** Remove the tube adapters then attach the head assembly to the door with 4 screws as shown. Reinstall the tube adapters.

**2** Attach the bottom rod (short rod) to the bottom latch and turn it in to approximately  $\frac{3}{4}$ " (19mm) engagement.

**3** Attach the bottom tube to the tube adapter on the head assembly and secure with a hollow rivet.

**4** Attach the top tube (long tube) to the top latch and turn it in to approximately  $1\frac{1}{8}$ " (28mm) engagement.

**5** Attach the top tube to the tube adapter on the head assembly and secure with a hollow rivet.



A: Top strike and shims (if necessary).  
 B: Top latch.  
 C: Head assembly.  
 D: Bottom latch.  
 E: Bottom strike and strike shims (if necessary).  
 F: End plate.

# 4200VF TEMPLATE

