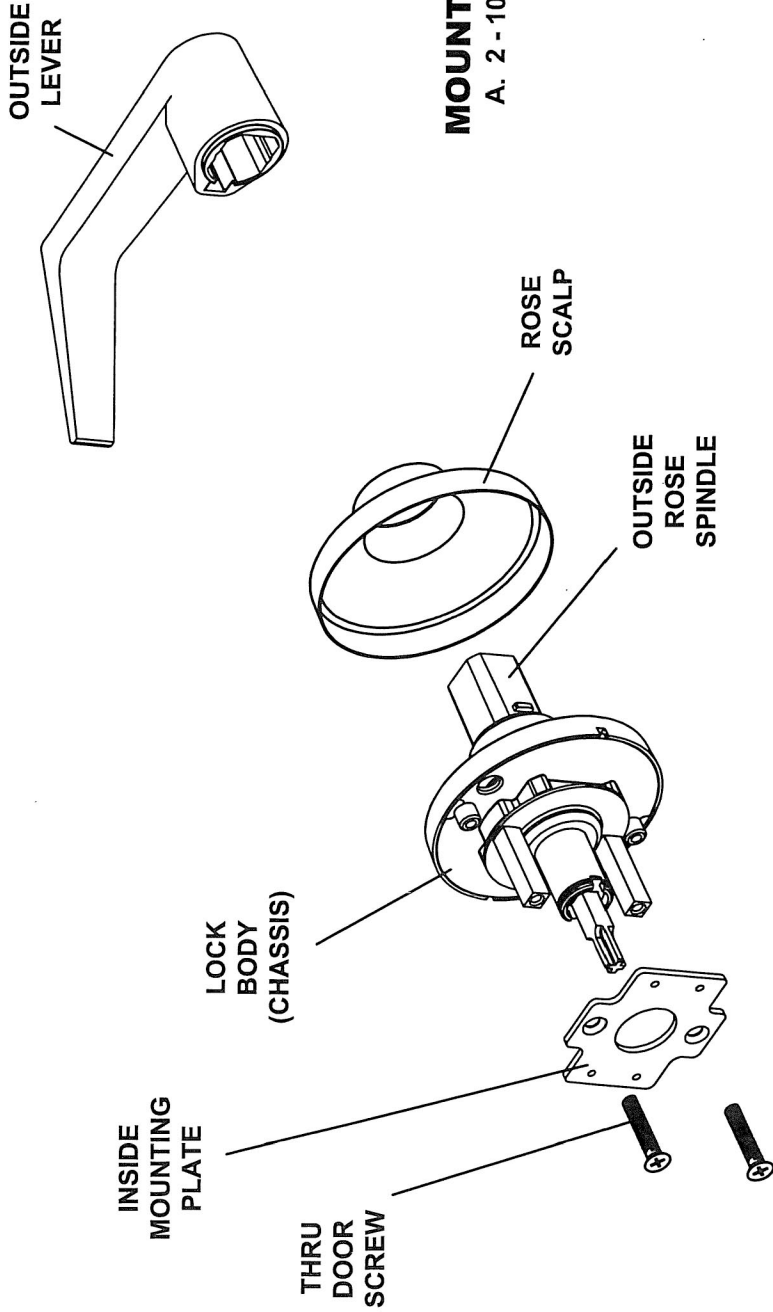


# INSTALLATION INSTRUCTIONS FOR EXIT DEVICE TRIM



## MOUNTING HARDWARE:

- A. 2 - 10-24UNC x 7/8" FLAT HEAD

## 1. MARK DOOR

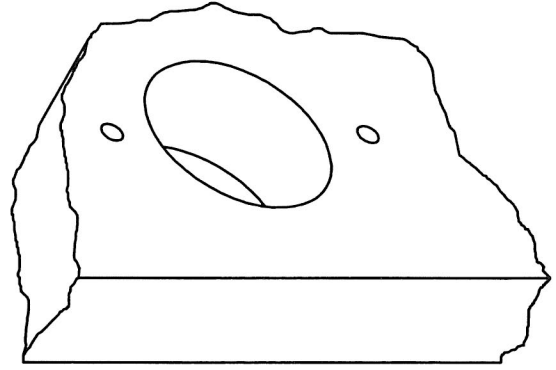
- A. Mark center point for 2-1/8" hole to match backset and height on template for exit device.
- B. Mark door for two 5/16" locating holes based on template located on the back side of this instruction sheet.

**NOTE:** Accurate door preparation is essential for proper function of this exit device trim.

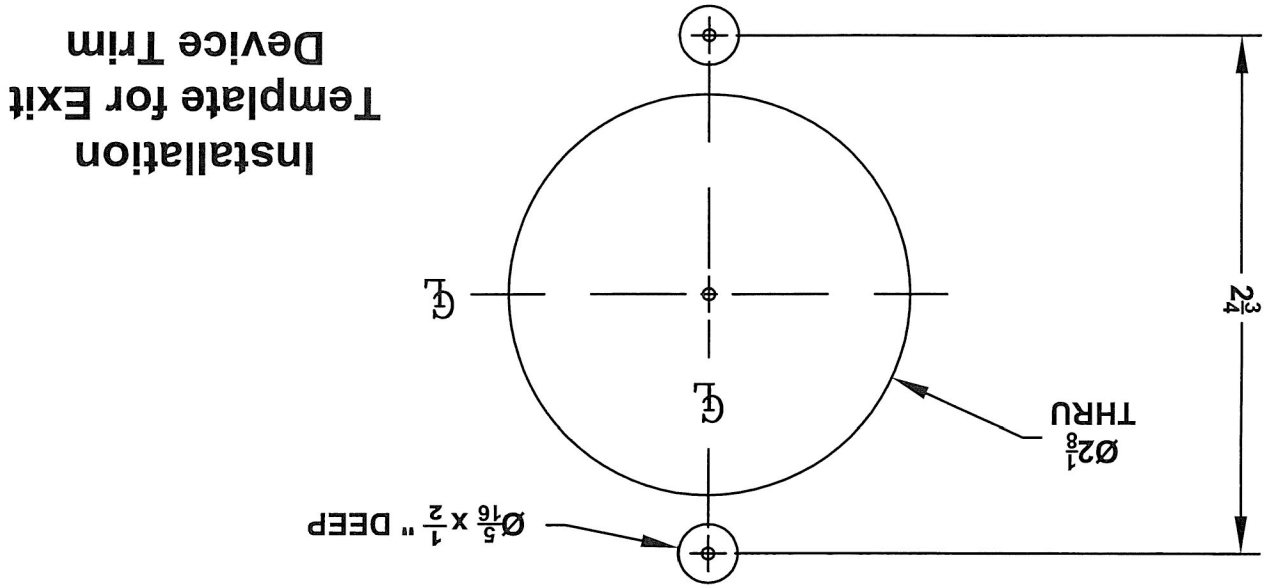
## 2. BORE HOLES (DOOR PREPARATION)

- A. Drill a 2 1/8" hole through door.
- B. Drill two 5/16" holes 1/2" deep on side of door where trim will mount.

**NOTE:** A fixture is recommended for drilling the 5/16" holes.



VERIFY PRINTED TO SCALE



Note: Backset and Height determined by Exit Device Template

TOP

Installation  
Template for Exit  
Device Trim